

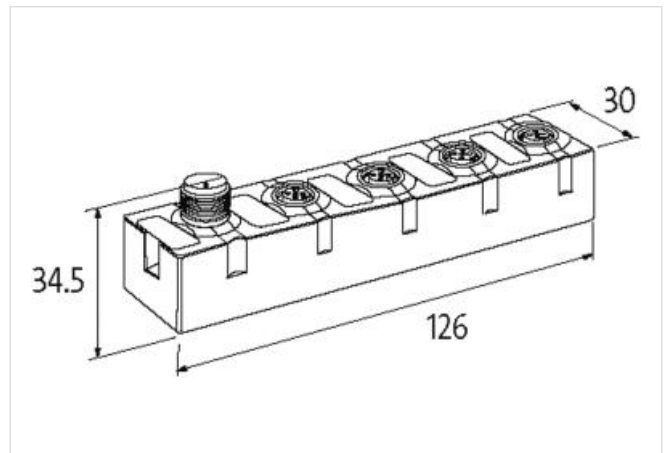
CUBE67 I/O COMPACT MODULE

4 analog inputs (RTD)

Compact module
AI4 - (C) 4× M12 (RTD)
for resistors and temperature
Connection cables are in the online shop under "Connection Technology".
Housing fully potted.

[Link to Product](#)

Illustration



Product may differ from Image



Commercial data

ECLASS-6.0	27242601
ECLASS-6.1	27242601
ECLASS-7.0	27242601
ECLASS-8.0	27242601
ECLASS-9.0	27242601
ECLASS-10.1	27242601
ECLASS-11.1	27242601
ECLASS-12.0	27242601
ETIM-5.0	EC001596
customs tariff number	85389099
GTIN	4048879048217
Packaging unit	1

Electrical data | Supply

Current consumption max.	50 mA
Total current UA max.	4 A
Total current US max.	4 A

Electrical data | Input

Sensor type	Pt100, Pt200, Pt500, Pt1000, Ni100, Ni120, Ni200, Ni500, Ni1000, 0...3000 Ohm, R
Conversion time analog input per channel	58 ms

Diagnostics	
Actuator warning	per channel via LED and BUS
Diagnostic	No voltage, Under voltage
Diagnostic via BUS	per module and channel
Diagnostic via LED	per module and channel
Short circuit diagnosis	yes
LED display	Ethernet connection/data traffic
Overload diagnosis	yes
Device protection Electrical	
Degree of protection (EN IEC 60529)	IP67
Mechanical data Mounting data	
Suitable for mounting type	2-hole screw mounting
Height	126 mm
Width	30 mm
Depth	34,5 mm
Environmental characteristics Climatic	
Operating temperature min.	0 °C
Operating temperature max.	55 °C
Storage temperature min.	-20 °C
Storage temperature max.	75 °C
Connection type 2	
Connection type 1	0-3
Connection type 2	Bus In
Family construction form	M12
Gender	female
Color contact carrier	black
Coding	A
No. of poles	5
PIN 1	RD
PIN 2	RD
PIN 3	WH
PIN 4	WH
PIN 5	n.c.
Family construction form	M12
Gender	male
Color contact carrier	black
Coding	A
No. of poles	6
PIN 1	24 V DC (UA)
PIN 2	24 V DC (US)
PIN 3	0 V
PIN 4	Bus internal
PIN 5	Bus internal
PIN 6	0 V